



Specifications for Project

**OHANA DESIGN LLC**

Salesperson

**Rishi Gauri**

**Rishi.gauri@grandappliance.com**

**i REMINDER:** To ensure a smooth project it is the responsibility of the homeowner / purchaser of appliances for this project to share all the attached specifications to ensure the cabinet provider, contractor, or any other tradesperson have all the information required to complete their work accurately.

Specifications are subject to change. If any tradesperson has questions regarding the attached specifications please contact our sales associate.

# OHANA DESIGN LLC

3838 N Bell Ave  
Chicago, IL 60618  
United States



## Grand Appliance and TV

grandappliance.com

### Rishi Gauri

Builder Sales Manager  
630-973-9413

Quote **QT04-18008**

Version 2.2

Wed, Apr 15, 2026

11:26 AM CDT



[enterprise.steelcod.com/sp/grnd/NC6FW9SF](https://enterprise.steelcod.com/sp/grnd/NC6FW9SF)

<i>Contents</i>	<i>Page no.</i>
<b>CL4850UFD/O</b> Sub-Zero Refrigeration  48" Classic French Door Refrigerator/Freezer - Panel Ready	<b>4-18</b>
<b>GR488</b> Wolf Range  48" Gas Range - 8 Burners	<b>19-20</b>
<b>DW2451</b> Cove Dishwasher  24" Dishwasher - Panel Ready	<b>21-30</b>
<b>MD24TE/S</b> Wolf Microwave  24" Transitional Drawer Microwave	<b>31-34</b>
<b>PL461912</b> Wolf Ventilation  48" Pro Hood Liner - 19" Depth	<b>35-36</b>
<b>UHBV124-IS01A</b>	<b>37-39</b>

**Note about page numbers:**

Because the original manufacturer's documents are not altered in any way, the page numbers displayed on the page may not correspond to the page number within this package.

**All specifications are intended for initial planning purposes only.**

Manufacturers reserve the right to change specifications at any time without notice. Always consult the installation instructions found on the manufacturer's website or included with the appliances before installation.

Uline Refrigeration

24" 1 Class Beverage Center - Panel Ready

---

## **WKHC252HBA**

40-41

LG Washer-Dryer Combo

Single Unit LG WashTower™ with Center Control™ 5.0 cu. ft. Front Load Washer and 7.8 cu. ft. Electric Ventless Heat Pump Dryer

**Note about page numbers:**

Because the original manufacturer's documents are not altered in any way, the page numbers displayed on the page may not correspond to the page number within this package.

**All specifications are intended for initial planning purposes only.**

Manufacturers reserve the right to change specifications at any time without notice. Always consult the installation instructions found on the manufacturer's website or included with the appliances before installation.

CL4850UFD/O



## FEATURES

Split Climate® intelligent cooling system revolutionizes Sub-Zero's already-superior preservation capabilities, keeping food even fresher for longer

ClearSight® LED lighting system fully illuminates the interior and reduces shadows.

Sleek stainless accents trim the interior, matching the sophistication of the exterior

Touch control panel is conveniently located for easy access at the tap of a finger

Night Mode optimizes the interior lighting based on the detected ambient light, reducing the brightness by 90% in dim environments

Lift the base of the flip-up dairy compartment to store taller items on the shelf below

Activate Max Ice Mode to temporarily increase ice production

Wi-Fi enabled for convenient remote access using your mobile device or smart home system

Position adjustable door bins at various heights to accommodate assorted items

Sub-Zero offers an industry-leading full two-year warranty on appliances, along with a full five-year sealed system warranty

## ACCESSORIES

48" Stainless Steel Kickplate

90° Door Stop

Air Purification Cartridge

Custom Front Panel Mounting Kit

Custom Side Panel Mounting Kit

Egg Container

Grille Frame - 84"

Pro Handle

Pro Louvered Flush Inset Grille - 84"

Stainless Steel Flush Inset Door Panel with Pro Handle

Stainless Steel Flush Inset Door Panel with Tubular Handle

Stainless Steel Flush Inset Drawer Panel with Pro Handle

Stainless Steel Flush Inset Drawer Panel with Tubular Handle

Stainless Steel Flush Inset Grille Panel

Stainless Steel Pro Louvered Grille - 84"

Stainless Steel Pro Louvered Grille - 84"

Stainless Steel Side Panel

Tubular Handle

Water Filter

Stainless Steel Flush Inset Door and Drawer Panels with Pro Handle



## HANDLE ACCESSORIES

PRO



TUBULAR



## PRODUCT DETAILS

### REFRIGERATOR

- 7 glass refrigerator shelves (6 adjustable; 1 stationary)
- 4 crisper drawers with removable dividers
- 7 refrigerator door bins (5 adjustable; 2 stationary)
- 1 flip-up dairy compartment
- Air purification system
- LED refrigerator and freezer lights

### FREEZER

- Full-extension drawer
- Water filtration system
- Automatic ice maker with removable ice container

Stainless Steel Flush Inset Door and Drawer Panels with Tubular Handle

---

Classic Stainless Steel Pro Louvered Grilles

---

Stainless Steel Pro Handles

---

Stainless Steel Tubular Handles

---

Stainless Steel Kickplate

Accessories are available through an authorized dealer.  
For local dealer information, visit [subzero-wolf.com/locator](https://subzero-wolf.com/locator).

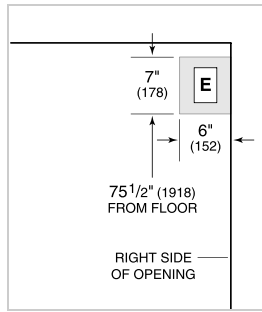
---

Specifications are subject to change without notice. This information was generated on April 1, 2026. Verify specifications prior to finalizing your cabinetry/enclosures.

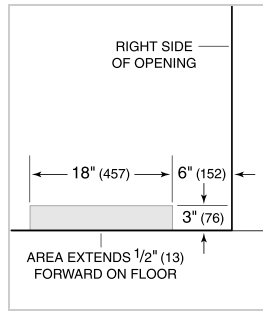
**PRODUCT SPECIFICATIONS**

Model	CL4850UFD/O
Dimensions	48"W x 84"H x 24"D
Refrigerator Capacity	21.4 cu. ft.
Freezer Capacity	7.5 cu. ft.
Weight	702 lbs
Electrical Supply	115 VAC, 60 Hz
Electrical Service	15 amp dedicated circuit
Plumbing Supply	1/4" OD copper, braided stainless steel or PEX tubing
Plumbing Pressure	35–120 psi
Receptacle	3-prong grounding-type

**ELECTRICAL**



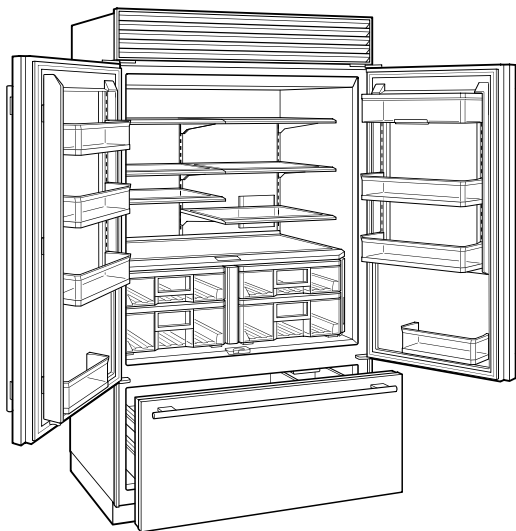
**PLUMBING**



**PANEL SPECIFICATIONS** For complete panels specifications including width/height, weight requirements, thickness requirements and offset details visit [subzero-wolf.com/builtinconfigurator](http://subzero-wolf.com/builtinconfigurator).

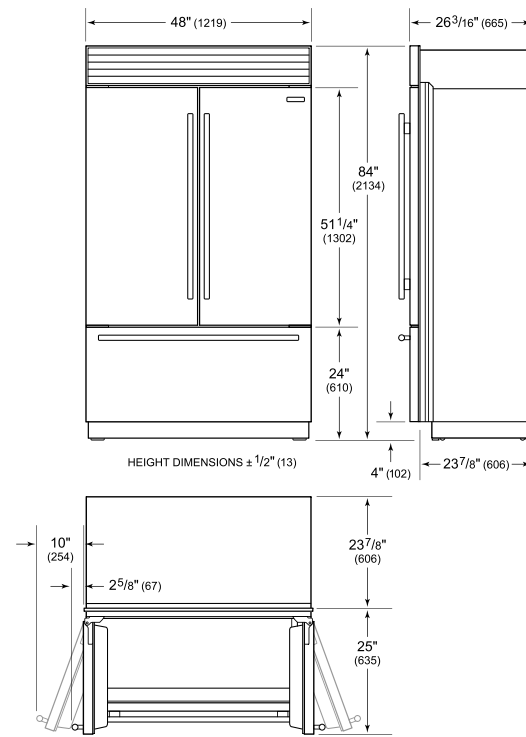
**NOTE:** Dimensions in parenthesis are in millimeters unless otherwise specified

**INTERIOR VIEW**

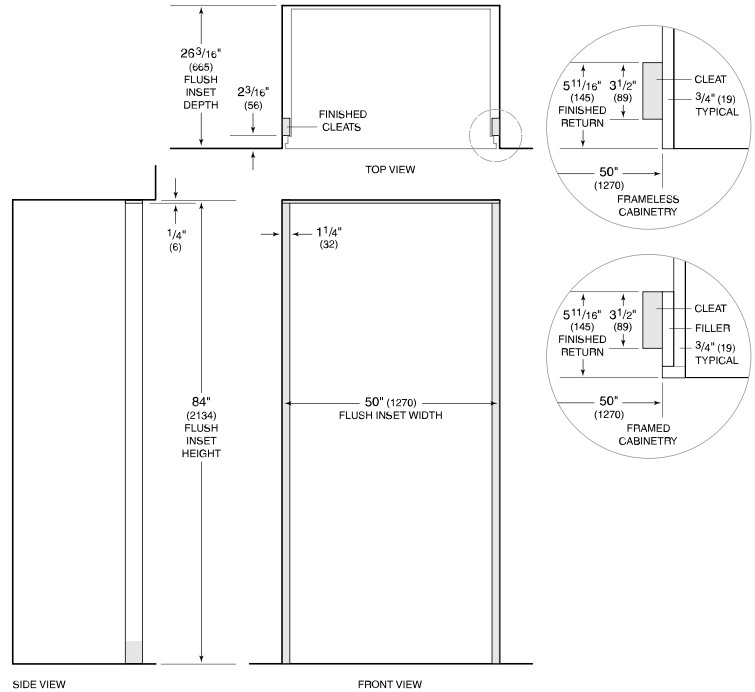


This illustration is intended for interior reference only and may not represent the exterior of the model being specified.

**DIMENSIONS**



**FLUSH INSET INSTALLATION**



**NOTE:** 3/16" (89) finished returns and shaded areas will be visible and should be finished to match cabinetry. Shaded line represents profile of unit with 3/4" (19) panel.

CL4850UFD/O



## FEATURES

Split Climate® intelligent cooling system revolutionizes Sub-Zero's already-superior preservation capabilities, keeping food even fresher for longer

ClearSight® LED lighting system fully illuminates the interior and reduces shadows.

Sleek stainless accents trim the interior, matching the sophistication of the exterior

Touch control panel is conveniently located for easy access at the tap of a finger

Night Mode optimizes the interior lighting based on the detected ambient light, reducing the brightness by 90% in dim environments

Lift the base of the flip-up dairy compartment to store taller items on the shelf below

Activate Max Ice Mode to temporarily increase ice production

Wi-Fi enabled for convenient remote access using your mobile device or smart home system

Position adjustable door bins at various heights to accommodate assorted items

Sub-Zero offers an industry-leading full two-year warranty on appliances, along with a full five-year sealed system warranty

## ACCESSORIES

48" Stainless Steel Kickplate

90° Door Stop

Air Purification Cartridge

Custom Front Panel Mounting Kit

Custom Side Panel Mounting Kit

Egg Container

Grille Frame - 84"

Pro Handle

Pro Louvered Flush Inset Grille - 84"

Stainless Steel Flush Inset Door Panel with Pro Handle

Stainless Steel Flush Inset Door Panel with Tubular Handle

Stainless Steel Flush Inset Drawer Panel with Pro Handle

Stainless Steel Flush Inset Drawer Panel with Tubular Handle

Stainless Steel Flush Inset Grille Panel

Stainless Steel Pro Louvered Grille - 84"

Stainless Steel Pro Louvered Grille - 84"

Stainless Steel Side Panel

Tubular Handle

Water Filter

Stainless Steel Flush Inset Door and Drawer Panels with Pro Handle



## HANDLE ACCESSORIES

PRO



TUBULAR



## PRODUCT DETAILS

### REFRIGERATOR

- 7 glass refrigerator shelves (6 adjustable; 1 stationary)
- 4 crisper drawers with removable dividers
- 7 refrigerator door bins (5 adjustable; 2 stationary)
- 1 flip-up dairy compartment
- Air purification system
- LED refrigerator and freezer lights

### FREEZER

- Full-extension drawer
- Water filtration system
- Automatic ice maker with removable ice container

Stainless Steel Flush Inset Door and Drawer Panels with Tubular Handle

---

Classic Stainless Steel Pro Louvered Grilles

---

Stainless Steel Pro Handles

---

Stainless Steel Tubular Handles

---

Stainless Steel Kickplate

Accessories are available through an authorized dealer.  
For local dealer information, visit [subzero-wolf.com/locator](https://subzero-wolf.com/locator).

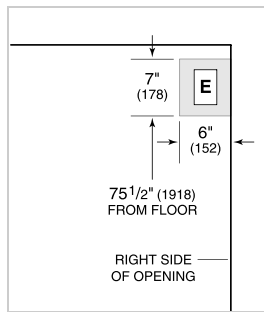
---

Specifications are subject to change without notice. This information was generated on April 1, 2026. Verify specifications prior to finalizing your cabinetry/enclosures.

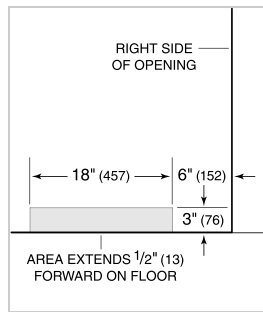
**PRODUCT SPECIFICATIONS**

Model	CL4850UFD/O
Dimensions	48"W x 84"H x 24"D
Refrigerator Capacity	21.4 cu. ft.
Freezer Capacity	7.5 cu. ft.
Weight	702 lbs
Electrical Supply	115 VAC, 60 Hz
Electrical Service	15 amp dedicated circuit
Plumbing Supply	1/4" OD copper, braided stainless steel or PEX tubing
Plumbing Pressure	35–120 psi
Receptacle	3-prong grounding-type

**ELECTRICAL**



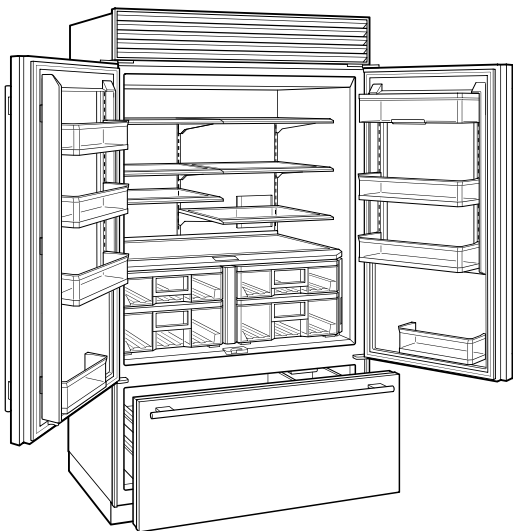
**PLUMBING**



**PANEL SPECIFICATIONS** For complete panels specifications including width/height, weight requirements, thickness requirements and offset details visit [subzero-wolf.com/builtinconfigurator](http://subzero-wolf.com/builtinconfigurator).

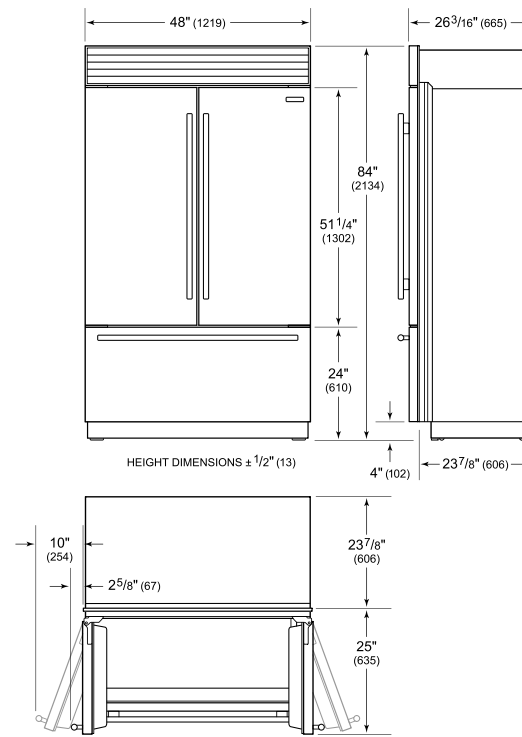
**NOTE:** Dimensions in parenthesis are in millimeters unless otherwise specified

**INTERIOR VIEW**

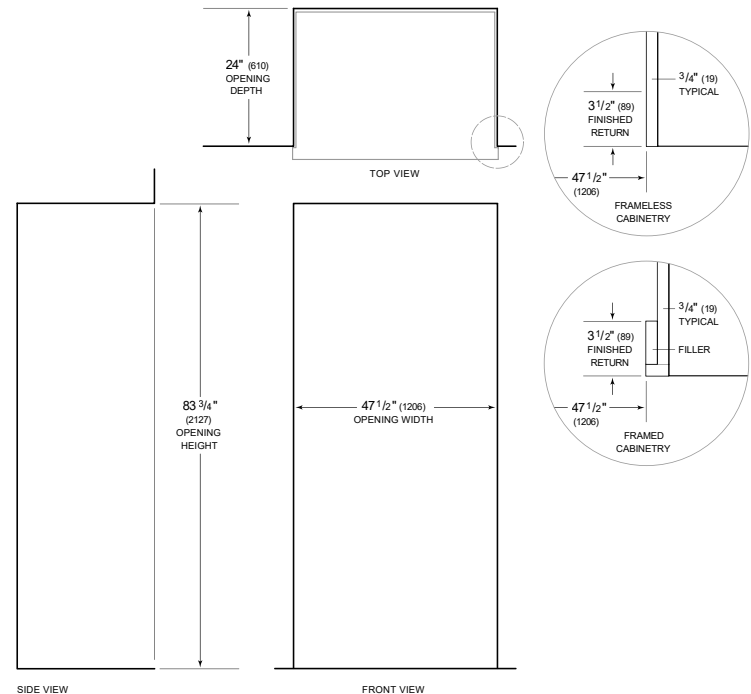


This illustration is intended for interior reference only and may not represent the exterior of the model being specified.

**DIMENSIONS**



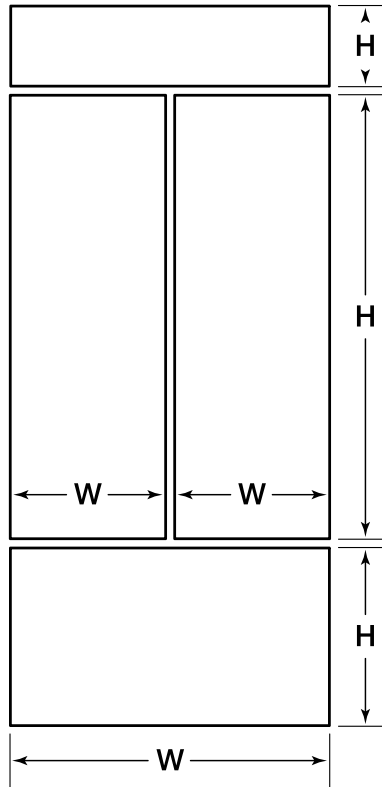
**STANDARD INSTALLATION**



**NOTE:** 3 1/2" (89) finished returns will be visible and should be finished to match cabinetry. Shaded line represents profile of unit.

Panel Specifications

Single Model: CL4850UFD/O



PANEL	FRONT	SPACER	BACKER	MAX WEIGHT
Door (2)	$24 \frac{3}{8}$ " <small>W</small> $50 \frac{5}{8}$ " <small>H</small>	$23$ " <small>W</small> $49 \frac{13}{16}$ " <small>H</small>	$23 \frac{5}{8}$ " <small>W</small> $50 \frac{7}{16}$ " <small>H</small>	50 lbs
Drawer	$49$ " <small>W</small> $20$ " <small>H</small>	$47 \frac{1}{8}$ " <small>W</small> $19 \frac{1}{16}$ " <small>H</small>	$47 \frac{3}{4}$ " <small>W</small> $19 \frac{11}{16}$ " <small>H</small>	50 lbs
Grille	$49$ " <small>W</small> $7 \frac{3}{4}$ " <small>H</small>	$47 \frac{1}{8}$ " <small>W</small> $6 \frac{13}{16}$ " <small>H</small>	$47 \frac{3}{4}$ " <small>W</small> $7 \frac{7}{16}$ " <small>H</small>	13 lbs

**Panel Planning Notes**

Single Model: CL4850UFD/O

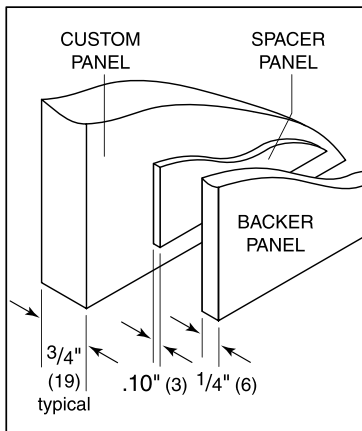
The flush inset application is an overlay model with flush inset panels. It is not a separate model.

The flush inset design allows custom panels to be installed flush with adjacent cabinets. Similar to overlay, flush inset panels are typically created by combining a 3/4" (19) custom panel, a .10" (3) spacer panel and a 1/4" (6) backer panel.

For flush inset panels thicker than 3/4" (19), a 90° door stop may be required to prevent interference with adjacent cabinets.

**Minimum Panel Thickness**

3/4"



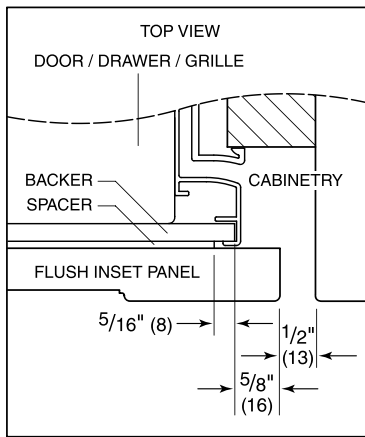
Panel assembly (rear view).

**Standard Handle Lengths (Optional)**

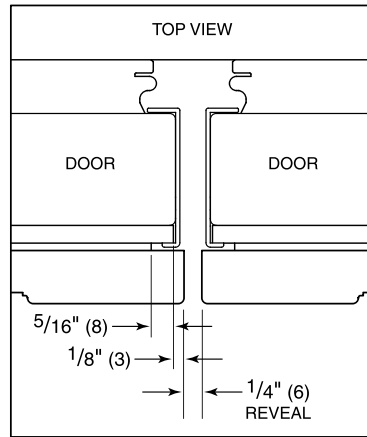
HANDLE	TUBULAR	PRO
CL4850UFD/O Door	40 1/8"	36 1/16"
CL4850UFD/O Drawer	43"	42"

Panel Offsets

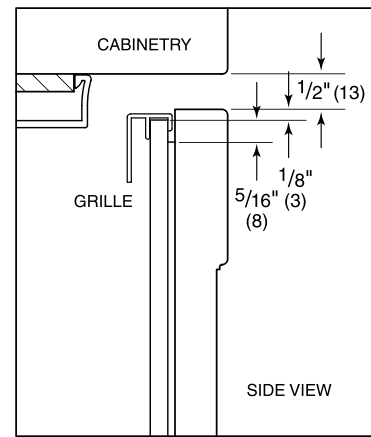
Single Model: CL4850UFD/O



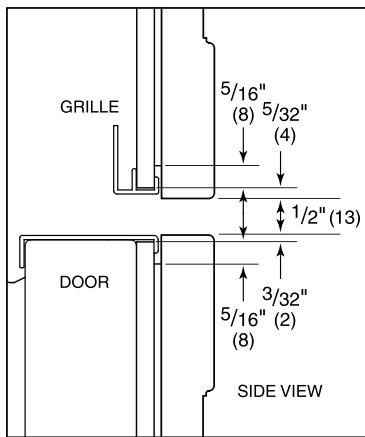
Door (hinge) / Drawer / Grille Sides



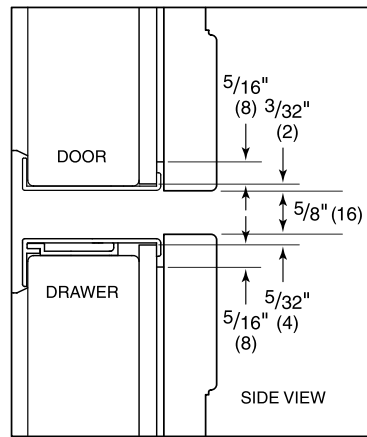
Doors (handle) Sides



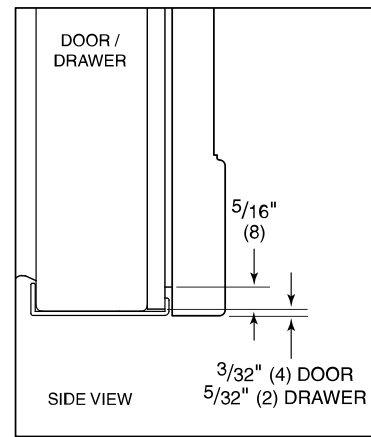
Grille Top



Grille Bottom / Door Top



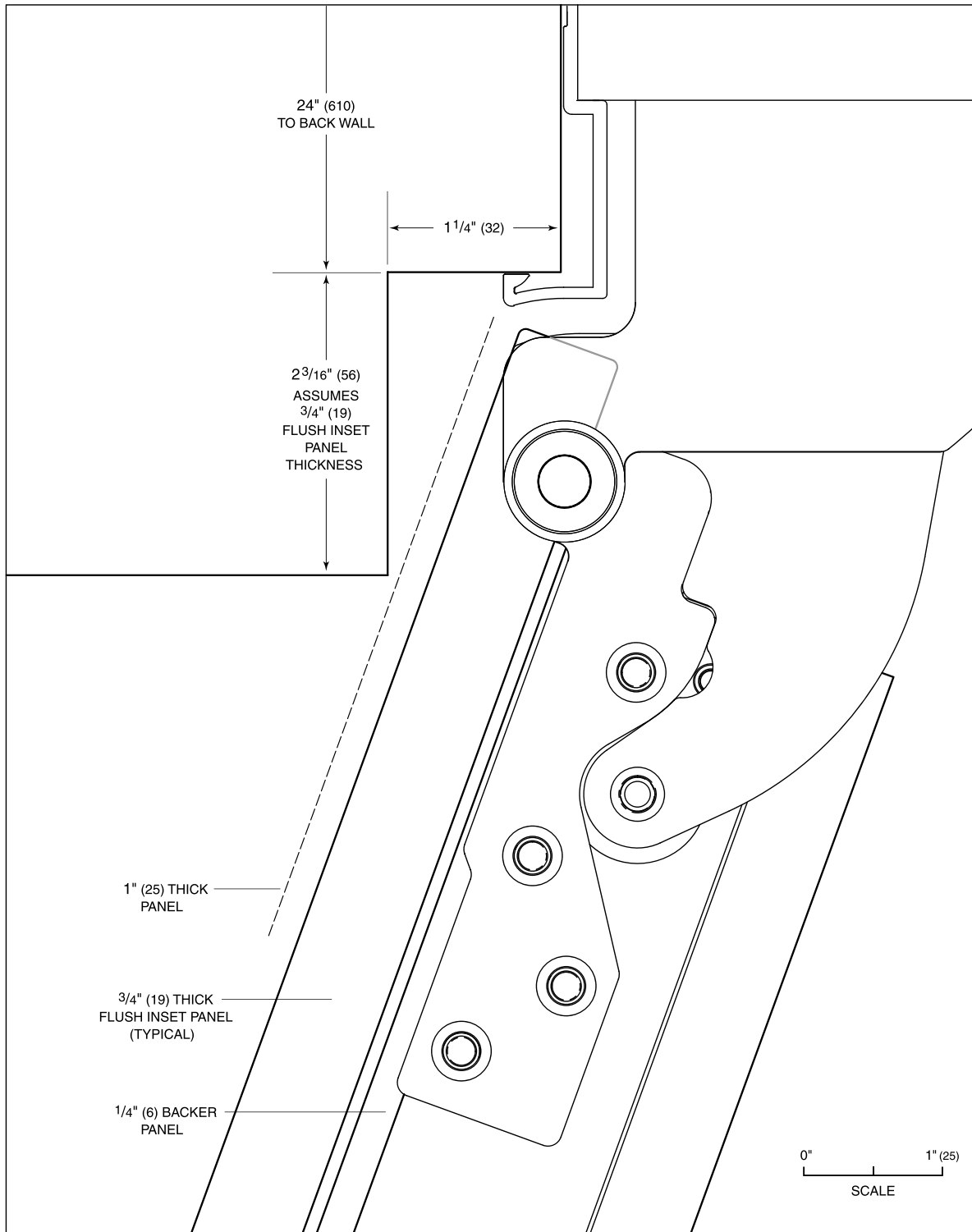
Door Bottom / Drawer Top



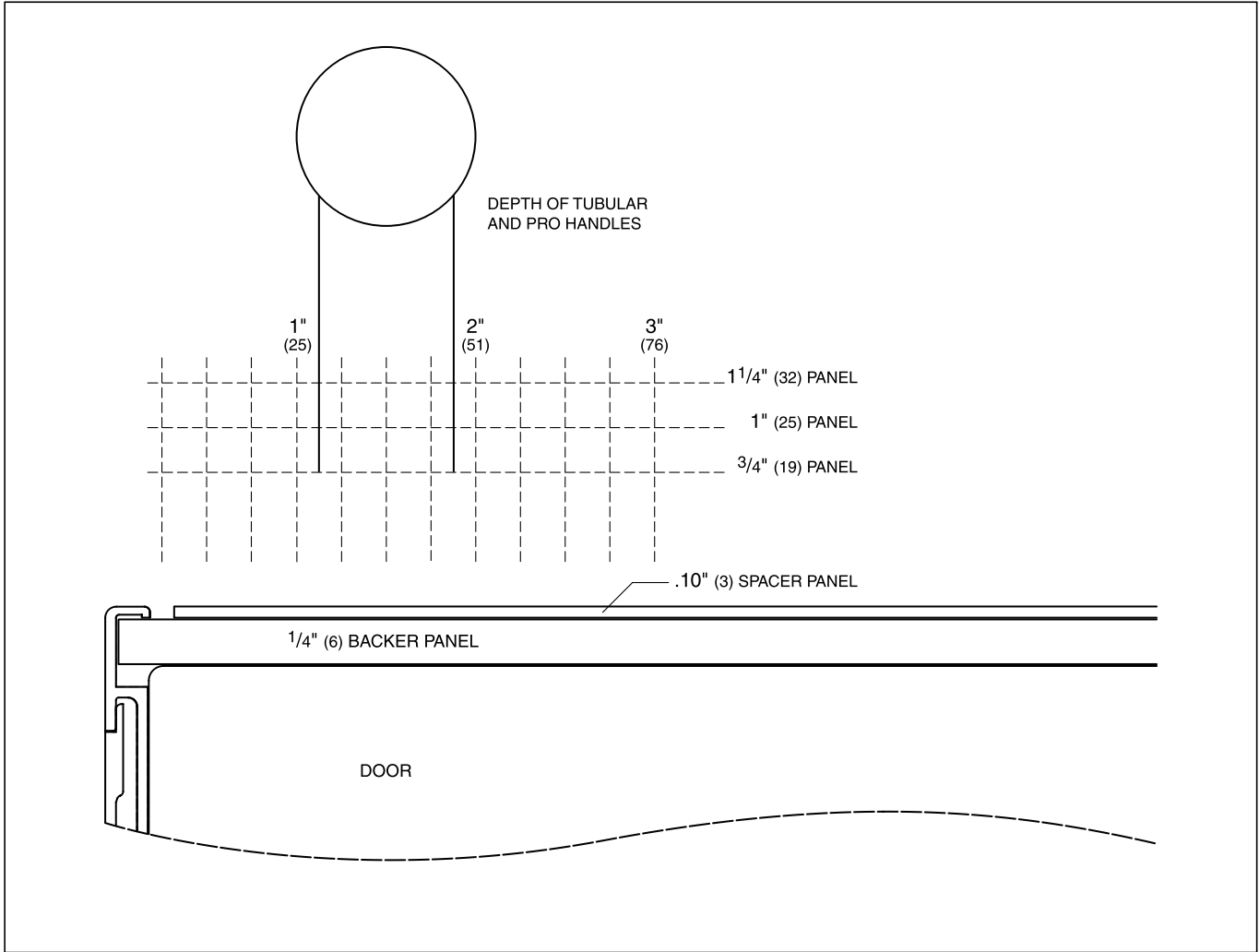
Door/Drawer Bottom

Templates

Single Model: CL4850UFD/O



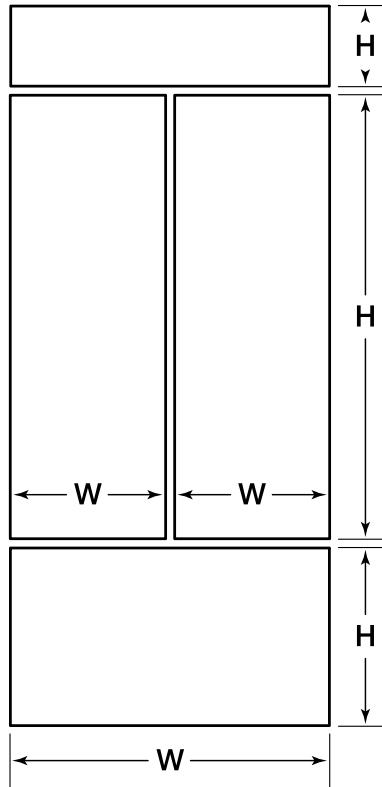
Flush inset application—110° door opening (top view).



Overlay and flush inset panel thickness.

Panel Specifications

Single Model: CL4850UFD/O



PANEL	FRONT	SPACER	BACKER	MAX WEIGHT
Door (2)	$23 \frac{7}{8}$ " <small>W</small> $50 \frac{5}{8}$ " <small>H</small>	$23$ " <small>W</small> $49 \frac{13}{16}$ " <small>H</small>	$23 \frac{5}{8}$ " <small>W</small> $50 \frac{7}{16}$ " <small>H</small>	50 lbs
Drawer	$48$ " <small>W</small> $20$ " <small>H</small>	$47 \frac{1}{8}$ " <small>W</small> $19 \frac{1}{16}$ " <small>H</small>	$47 \frac{3}{4}$ " <small>W</small> $19 \frac{11}{16}$ " <small>H</small>	50 lbs
Grille	$48$ " <small>W</small> $7 \frac{3}{4}$ " <small>H</small>	$47 \frac{1}{8}$ " <small>W</small> $6 \frac{13}{16}$ " <small>H</small>	$47 \frac{3}{4}$ " <small>W</small> $7 \frac{7}{16}$ " <small>H</small>	13 lbs

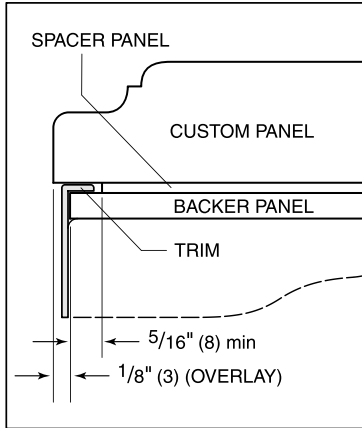
Panel Planning Notes

Single Model: CL4850UFD/O

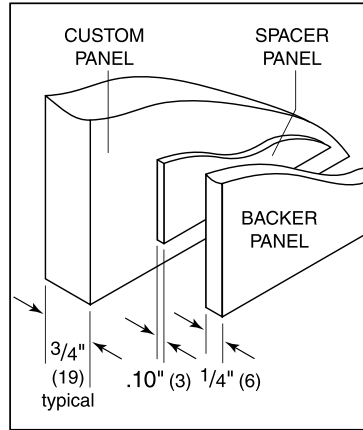
Overlay panels are typically created by combining a 3/4" (19) custom panel, a .10" (3) spacer panel and a 1/4" (6) backer panel.

Minimum Panel Thickness

5/8"



Panel assembly (cross section).



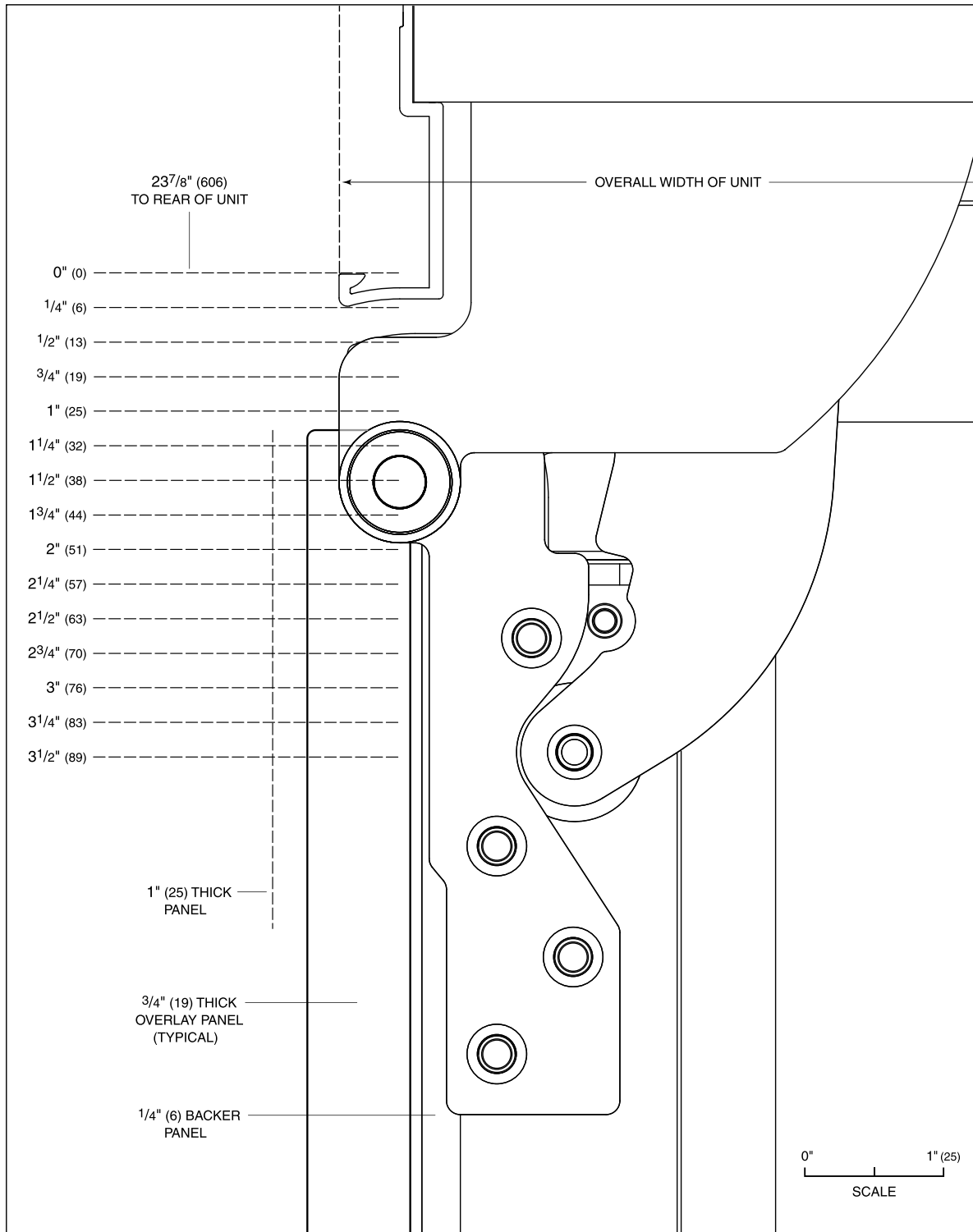
Panel assembly (rear view).

Standard Handle Lengths (Optional)

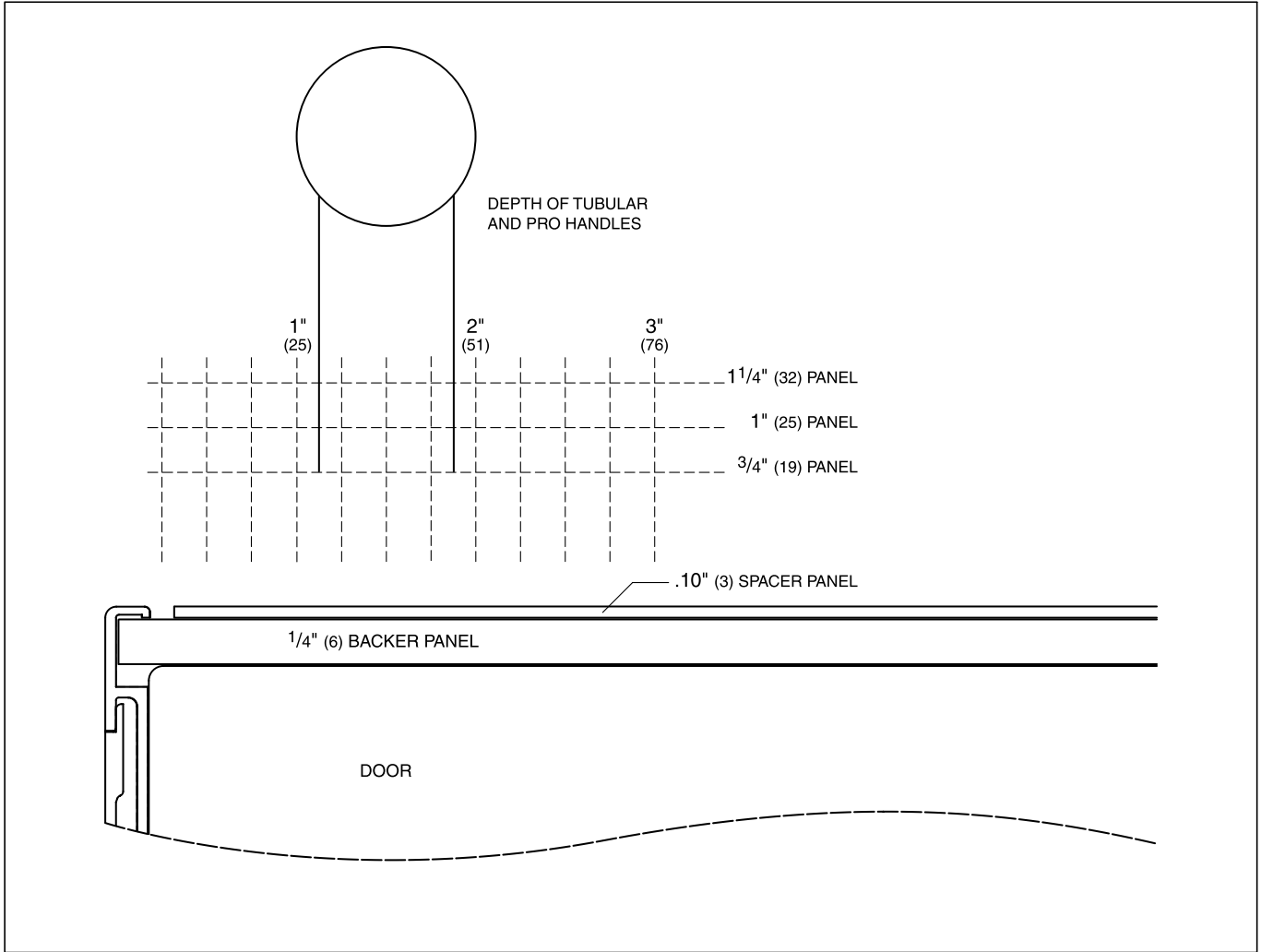
HANDLE	TUBULAR	PRO
CL4850UFD/O Door	40 1/8"	36 1/16"
CL4850UFD/O Drawer	43"	42"

Templates

Single Model: CL4850UFD/O



Overlay application—90° door opening (top view).



Overlay and flush inset panel thickness.

GR488



## FEATURES

Control temperature precisely with 8 dual-stacked, sealed gas burners for higher highs, lower lows

Enjoy quicker heat and more even cooking with this large capacity gas convection oven

Multi-task with an additional 18" oven.

Clean up splashes and spills easily with the seamless, sealed, black porcelain-coated burner pans

Produce crisper crusts and faster sears with the powerful infrared interior broiler

Re-ignites flame automatically with our spark ignition system for improved temperature control and added safety

Move pots and pans easily across continuous cast-iron grates

Find your kitchen style with a choice of iconic red, black, or brushed stainless control knobs

## ACCESSORIES

18" Full-Extension Oven Rack

2-Burner Wok Grate

2-Burner Wok Grate

Bake Stone Kit

Filler Trim

Front Leg Covers

Full-Extension Ball Bearing Rack

Stainless Steel Kickplate

Brushed stainless, polished brass, chrome, or brushed brass bezels

High altitude conversion kits available

Signature red, black, brushed stainless, brushed gray, or brushed brass knob kits

5" and 10" stainless steel risers, and 20" riser with shelf

Accessories available through an authorized dealer.

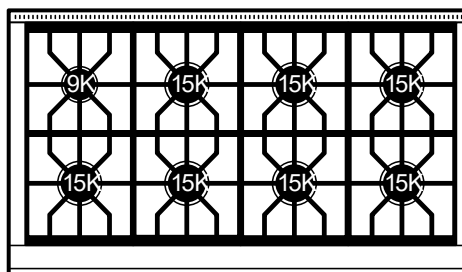
For local dealer information, visit [subzero-wolf.com/locator](http://subzero-wolf.com/locator).



## KNOB OPTIONS



## TOP CONFIGURATION



## RANGETOP SPECIFICATIONS

- 1 - 9,200 Btu burner
- 7 - 15,000 Btu burners

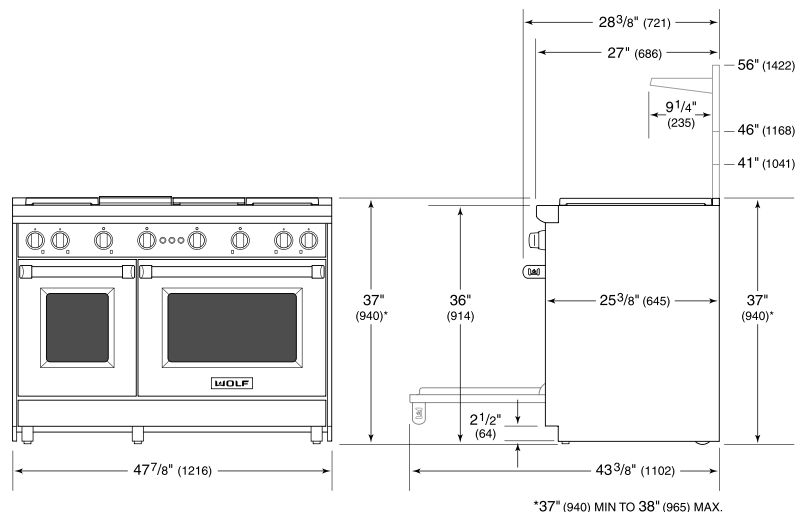
## OVEN INTERIOR SPECIFICATIONS

- 30,000 Btu oven burner
- 18,000 Btu oven broiler

**PRODUCT SPECIFICATIONS**

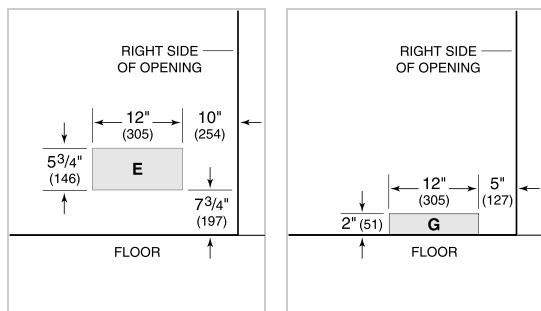
Model	GR488
Dimensions	47 7/8"W x 37"H x 28 3/8"D
Oven 1 Interior Dimensions	13 1/2"W x 18 5/8"H x 17"D
Oven 2 Interior Dimensions	24"W x 18 5/8"H x 17"D
Oven 1 Usable Capacity	1.6 cu. ft.
Oven 1 Overall Capacity	2.5 cu. ft.
Oven 2 Usable Capacity	2.9 cu. ft.
Oven 2 Overall Capacity	4.4 cu. ft.
Door Clearance	19 1/2"
Electrical Supply	110/120 VAC, 50/60 Hz
Electrical Service	15 amp dedicated circuit
Gas Supply	3/4" ID line
Gas Inlet	1/2" NPT
Receptacle	3-prong grounding-type

**DIMENSIONS**



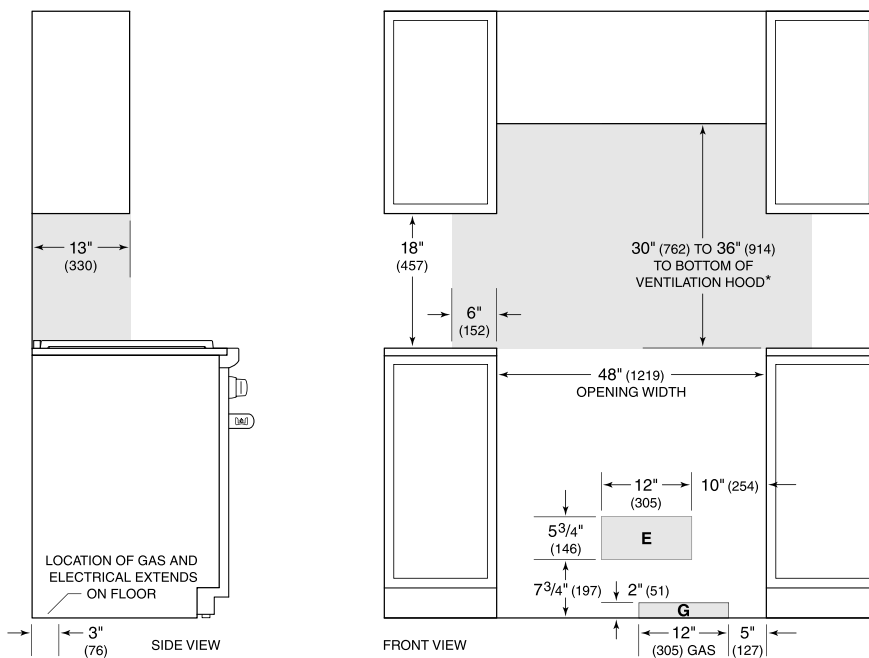
**ELECTRICAL**

**GAS**



NOTE: Dimensions in parenthesis are in millimeters unless otherwise specified

**STANDARD INSTALLATION**



\*Without ventilation hood, 42" (1067) minimum clearance countertop to combustible materials, charbroiler and GR488 require non-combustible materials.

NOTE: Shaded area above countertop indicates minimum clearance to combustible surfaces, combustible materials cannot be located within this area.

For island installation, 12" (305) minimum clearance back of range to combustible rear wall above countertop.

DW2451



## FEATURES

Cove's new advanced wash system drives three powerful spray arms, 45 spray jets, and a fine-mesh filter that removes food and grease and circulates clean water

Every glass, dish, and utensil comes out spotless and dry thanks to the hot rinse and fan assist

Whisper-quiet operation means you can keep the conversation flowing while running a load of dishes

Quality and aesthetics meet in a striking stainless-steel interior with a clean, fastenerless design

12 wash cycles and 6 add-on options can be mixed and matched, allowing you to personalize cleaning to your needs

Offers infinite interior variations to meet your dishwashing needs; height-adjustable middle rack and fold-down tines accommodate large pots and tall items

Loading and unloading is easy with interior LED lights that aid in visibility

Stainless or panel-ready options complement any décor and coordinate perfectly with other Sub-Zero and Wolf appliances

Dishwasher disappears into the kitchen with hidden control panel and discreet status light

With our convenient Owner's App, you can remotely start or monitor a cycle, receive alerts when rinse aid is low—even set up auto-replenishment

Cove's leak protection system offers peace of mind in the rare event of a leak. A conductivity sensor in the base of the unit will automatically stop a cycle in progress if it detects a leak

## ACCESSORIES

4" Stainless Kickplate - 24" Opening

4" Stainless Kickplate - 60cm Opening

Pro Handle Kit

Tubular Handle Kit

24" Stainless Steel Door Panel Kits

60cm Stainless Steel Door Panel Kits

Accessories are available through an authorized dealer. For local dealer information, visit [subzero-wolf.com/locator](http://subzero-wolf.com/locator).



## HANDLE ACCESSORIES

PRO



TUBULAR



## PRODUCT DETAILS

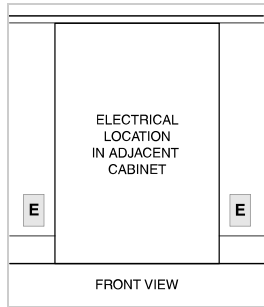
### DISHWASHER

- 4 LED lights (2 sides; 2 top)
- 45 spray jets across 3 spray arms
- Four-stage, fine mesh filter
- Adjustable stemware rail
- Adjustable cup shelf
- Height-adjustable middle rack
- Easy-glide bottom rack
- Upper silverware rack
- One large utensil basket
- Fold-down tines on lower and middle racks

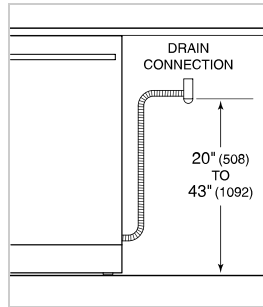
**PRODUCT SPECIFICATIONS**

Model	DW2451
Dimensions	23 5/8"W x 34 1/2"H x 23 1/4"D
Door Clearance	26 3/4"
Sound Level	41 dBA (Model and cycle/option dependent)
Electrical Supply	115 VAC, 60 Hz
Electrical Service	15 amp dedicated circuit
Receptacle	3-prong grounding-type
Cord Length	6'
Water Connection	5' braided tubing with 3/8" female compression fitting
Drain Connection	5' (1.5 m) corrugated tubing
Plumbing Pressure	30–140 psi

**ELECTRICAL**



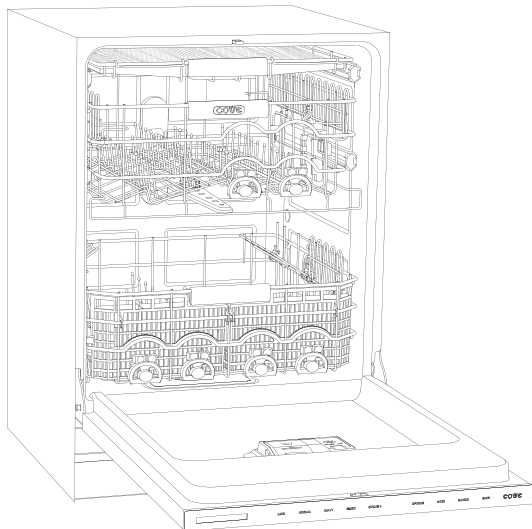
**PLUMBING**



**COVE OPENING WIDTH** Cove dishwashers accommodate varying opening widths. A 23 5/8" (60 cm) width provides minimum reveals and is ideal for new construction. A 24" width is also common; however, reveals for a 24" opening will be larger than the reveals for a 23 5/8" opening unless the panel width is adjusted accordingly. 24" and 60 cm stainless steel panels are available and must be specified accordingly.

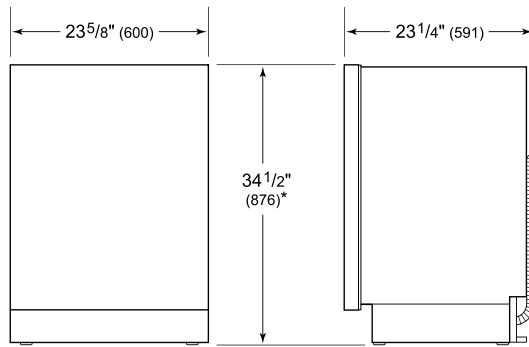
**PANEL SPECIFICATIONS** For complete panels specifications including width/height, weight requirements and thickness requirements visit [subzero-wolf.com/reveal](http://subzero-wolf.com/reveal).

**INTERIOR VIEW**

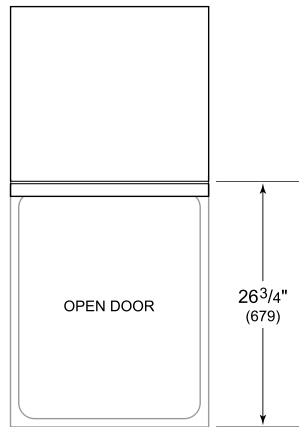


This illustration is intended for interior reference only and may not represent the exterior of the model being specified.

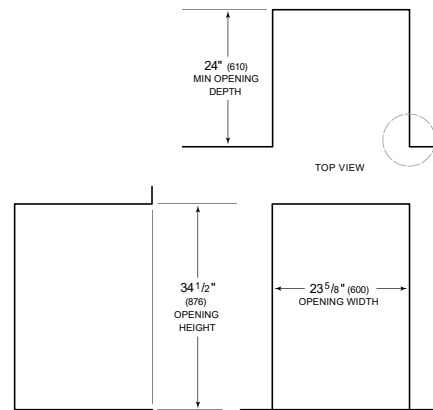
**DIMENSIONS**



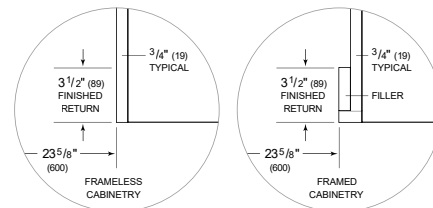
\*33 3/4" (857) MIN TO 34 3/4" (883) MAX



**60 CM INSTALLATION**



NOTE: 3 1/2" (89) finished returns will be visible and should be finished to match cabir



DW2451



## FEATURES

Cove's new advanced wash system drives three powerful spray arms, 45 spray jets, and a fine-mesh filter that removes food and grease and circulates clean water

Every glass, dish, and utensil comes out spotless and dry thanks to the hot rinse and fan assist

Whisper-quiet operation means you can keep the conversation flowing while running a load of dishes

Quality and aesthetics meet in a striking stainless-steel interior with a clean, fastenerless design

12 wash cycles and 6 add-on options can be mixed and matched, allowing you to personalize cleaning to your needs

Offers infinite interior variations to meet your dishwashing needs; height-adjustable middle rack and fold-down tines accommodate large pots and tall items

Loading and unloading is easy with interior LED lights that aid in visibility

Stainless or panel-ready options complement any décor and coordinate perfectly with other Sub-Zero and Wolf appliances

Dishwasher disappears into the kitchen with hidden control panel and discreet status light

With our convenient Owner's App, you can remotely start or monitor a cycle, receive alerts when rinse aid is low—even set up auto-replenishment

Cove's leak protection system offers peace of mind in the rare event of a leak. A conductivity sensor in the base of the unit will automatically stop a cycle in progress if it detects a leak

## ACCESSORIES

4" Stainless Kickplate - 24" Opening

4" Stainless Kickplate - 60cm Opening

Pro Handle Kit

Tubular Handle Kit

24" Stainless Steel Door Panel Kits

60cm Stainless Steel Door Panel Kits

Accessories are available through an authorized dealer. For local dealer information, visit [subzero-wolf.com/locator](http://subzero-wolf.com/locator).



## HANDLE ACCESSORIES

PRO



TUBULAR



## PRODUCT DETAILS

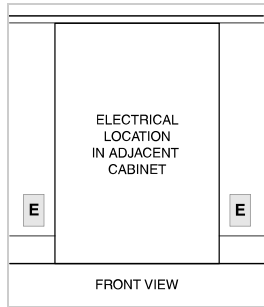
### DISHWASHER

- 4 LED lights (2 sides; 2 top)
- 45 spray jets across 3 spray arms
- Four-stage, fine mesh filter
- Adjustable stemware rail
- Adjustable cup shelf
- Height-adjustable middle rack
- Easy-glide bottom rack
- Upper silverware rack
- One large utensil basket
- Fold-down tines on lower and middle racks

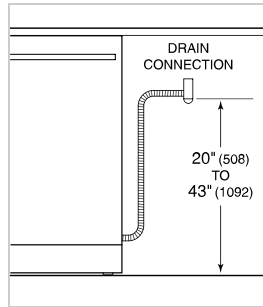
**PRODUCT SPECIFICATIONS**

Model	DW2451
Dimensions	23 5/8"W x 34 1/2"H x 23 1/4"D
Door Clearance	26 3/4"
Sound Level	41 dBA (Model and cycle/option dependent)
Electrical Supply	115 VAC, 60 Hz
Electrical Service	15 amp dedicated circuit
Receptacle	3-prong grounding-type
Cord Length	6'
Water Connection	5' braided tubing with 3/8" female compression fitting
Drain Connection	5' (1.5 m) corrugated tubing
Plumbing Pressure	30–140 psi

**ELECTRICAL**



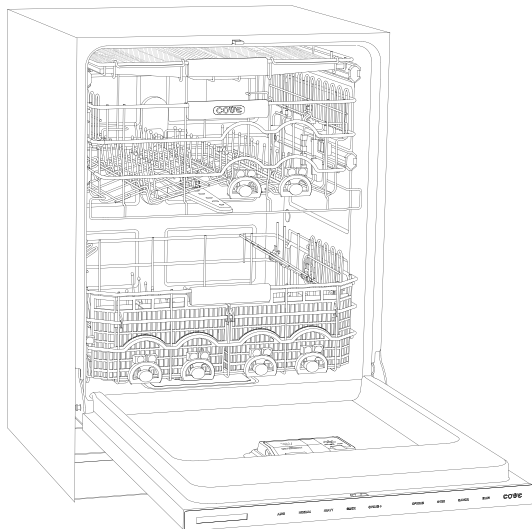
**PLUMBING**



**COVE OPENING WIDTH** Cove dishwashers accommodate varying opening widths. A 23 5/8" (60 cm) width provides minimum reveals and is ideal for new construction. A 24" width is also common; however, reveals for a 24" opening will be larger than the reveals for a 23 5/8" opening unless the panel width is adjusted accordingly. 24" and 60 cm stainless steel panels are available and must be specified accordingly.

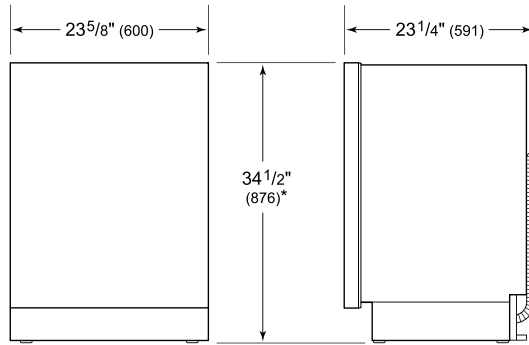
**PANEL SPECIFICATIONS** For complete panels specifications including width/height, weight requirements and thickness requirements visit [subzero-wolf.com/reveal](http://subzero-wolf.com/reveal).

**INTERIOR VIEW**

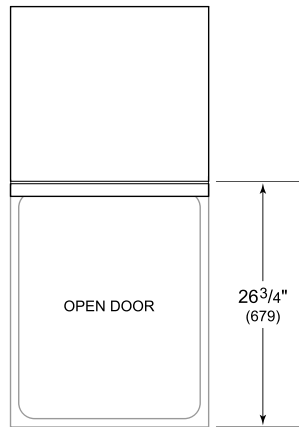


This illustration is intended for interior reference only and may not represent the exterior of the model being specified.

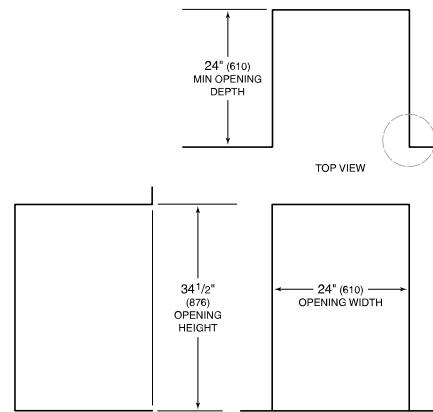
**DIMENSIONS**



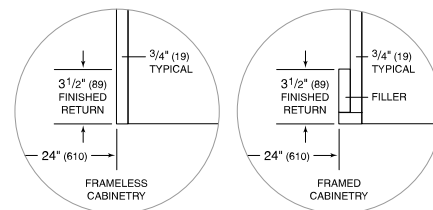
\*33 3/4" (857) MIN TO 34 3/4" (883) MAX



**24" INSTALLATION**



NOTE: 3/2" (89) finished returns will be visible and should be finished to match cabinetry.



## DW2451: Panel Specs Only, Custom Panel, 23 5/8" (60cm) Install

### Specifications:

[Panel Specifications](#)

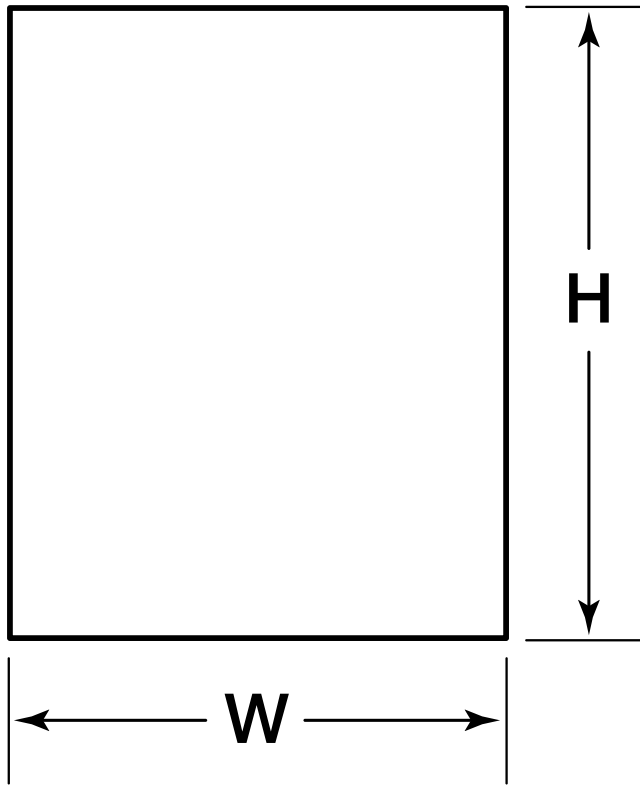
[Panel Planning Notes](#)



DW2451  
24" Dishwasher - Panel Ready

Panel Specifications

Single Model: DW2451



PANEL	WIDTH	HEIGHT	MIN THICKNESS	MAX WEIGHT
Door	23 <sup>3</sup> / <sub>8</sub> "	30 <sup>3</sup> / <sub>8</sub> "	1/2 "	20 lbs

## Panel Planning Notes

Single Model: DW2451

The thickness of the custom panel can vary. A minimum 1/2" (13) thick panel is required, but the thickness can be increased provided it does not exceed the 20 lb weight limit (less than 18 lb is optimal).

The depth of each dishwasher is 23 1/4" (591). Allow for panel thickness when planning the finished opening depth.

Finish all sides of custom panels. They will be visible when the door is open.

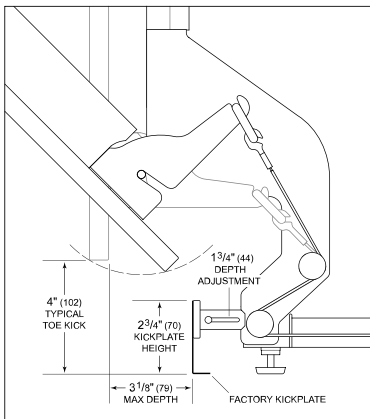
The panel dimensions are based on a 34 1/2" (876) opening, with a 4" (102) toe kick and 1/8" (3) top reveal. For all other opening and toe kick heights, adjust the panel accordingly. The minimum panel height is 28" (711). The minimum toe kick height is 4" (102).

Stainless steel tubular and pro handles are available through an authorized Sub-Zero dealer.

### Minimum Panel Thickness

1/2"

### Toe Kick Clearance



## DW2451: Panel Specs Only, Custom Panel, 24" Install

### Specifications:

[Panel Specifications](#)

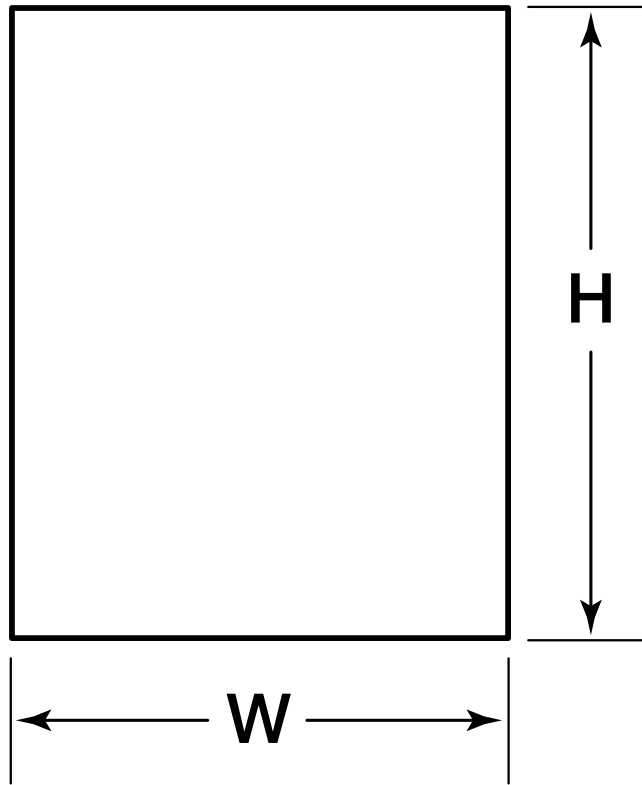
[Panel Planning Notes](#)



DW2451  
24" Dishwasher - Panel Ready

Panel Specifications

Single Model: DW2451



PANEL	WIDTH	HEIGHT	MIN THICKNESS	MAX WEIGHT
Door	23 <sup>3</sup> / <sub>4</sub> "	30 <sup>3</sup> / <sub>8</sub> "	1/2 "	20 lbs

## Panel Planning Notes

Single Model: DW2451

The thickness of the custom panel can vary. A minimum 1/2" (13) thick panel is required, but the thickness can be increased provided it does not exceed the 20 lb weight limit (less than 18 lb is optimal).

The depth of each dishwasher is 23 1/4" (591). Allow for panel thickness when planning the finished opening depth.

Finish all sides of custom panels. They will be visible when the door is open.

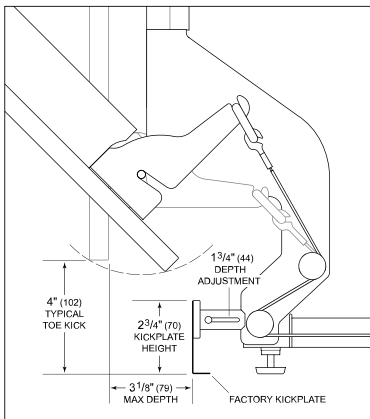
The panel dimensions are based on a 34 1/2" (876) opening, with a 4" (102) toe kick and 1/8" (3) top reveal. For all other opening and toe kick heights, adjust the panel accordingly. The minimum panel height is 28" (711). The minimum toe kick height is 4" (102).

Stainless steel tubular and pro handles are available through an authorized Sub-Zero dealer.

### Minimum Panel Thickness

1/2"

### Toe Kick Clearance



### MD24TE/S

#### FEATURES

Utilize 950 watts of power to cook meals with delicious results

Select from 10 power levels, a warming mode, and sensor cooking

Let the microwave do the cooking with intuitive Gourmet Mode settings

Fits a 9x13 pan and up to a 7" tall glass or dish for additional cooking flexibility

Install into surrounding cabinetry to coordinate with other Wolf built-in ovens and warming drawers

Installs can be lowered due to control panel lock providing extra safety

#### ACCESSORIES

Flush Inset Vent

Accessories available through an authorized dealer.

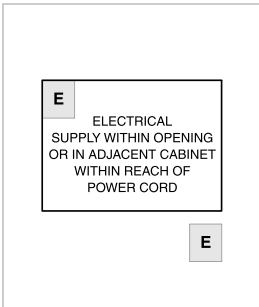
For local dealer information, visit [subzero-wolf.com/locator](https://subzero-wolf.com/locator).



**PRODUCT SPECIFICATIONS**

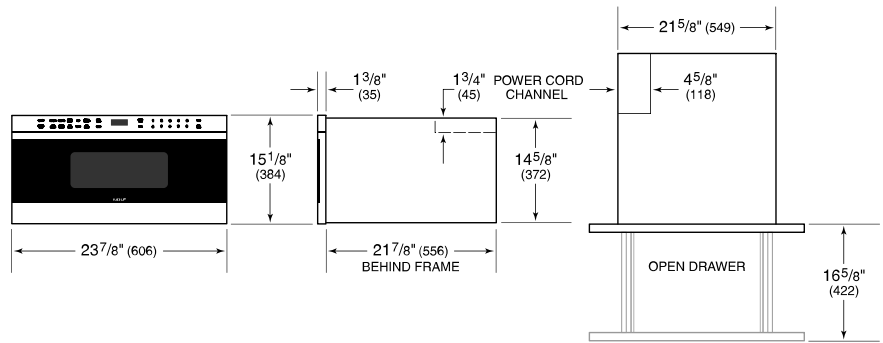
Model	MD24TE/S
Dimensions	23 7/8"W x 15 1/8"H x 21 7/8"D
Capacity	1.2 cu. ft.
Weight	99 lbs
Electrical Supply	120 VAC, 60 Hz
Electrical Service	15 amp dedicated circuit
Power Cord Length	4 Feet
Receptacle	3-prong grounding-type

**ELECTRICAL**

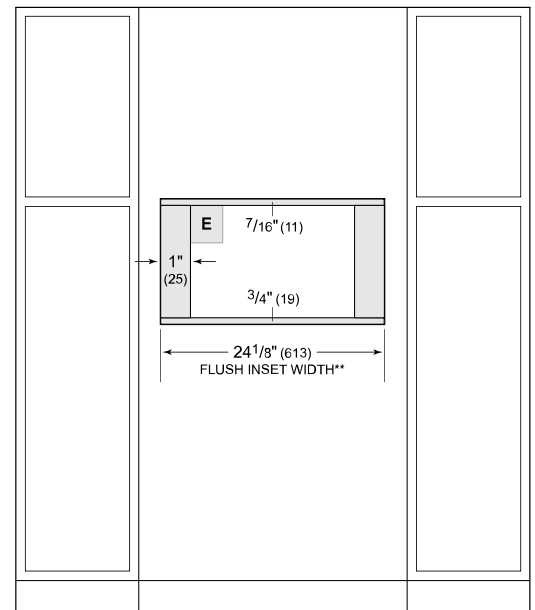
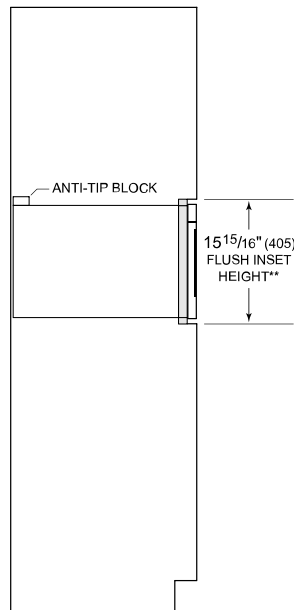
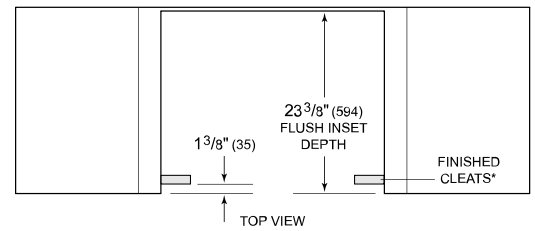


**NOTE:** Dimensions in parenthesis are in millimeters unless otherwise specified

**DIMENSIONS**



**FLUSH INSTALLATION**



SIDE VIEW

FRONT VIEW

\*Will be visible and should be finished to match cabinetry.  
 \*\*Dimension provides minimum reveals.

### MD24TE/S

#### FEATURES

Utilize 950 watts of power to cook meals with delicious results

Select from 10 power levels, a warming mode, and sensor cooking

Let the microwave do the cooking with intuitive Gourmet Mode settings

Fits a 9x13 pan and up to a 7" tall glass or dish for additional cooking flexibility

Install into surrounding cabinetry to coordinate with other Wolf built-in ovens and warming drawers

Installs can be lowered due to control panel lock providing extra safety

#### ACCESSORIES

Flush Inset Vent

Accessories available through an authorized dealer.

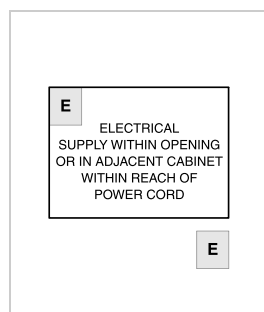
For local dealer information, visit [subzero-wolf.com/locator](https://subzero-wolf.com/locator).



**PRODUCT SPECIFICATIONS**

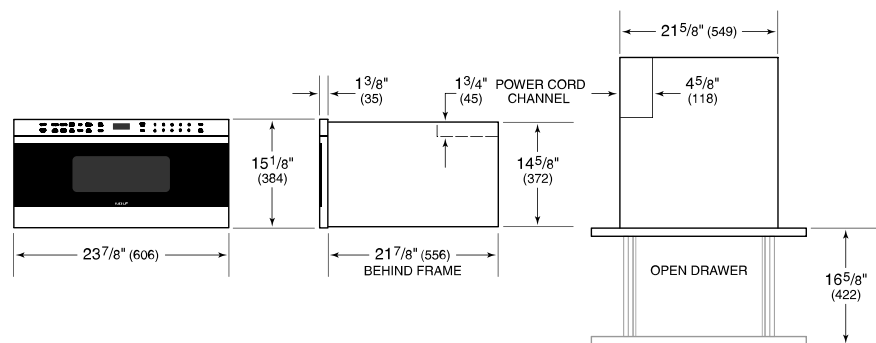
Model	MD24TE/S
Dimensions	23 7/8"W x 15 1/8"H x 21 7/8"D
Capacity	1.2 cu. ft.
Weight	99 lbs
Electrical Supply	120 VAC, 60 Hz
Electrical Service	15 amp dedicated circuit
Power Cord Length	4 Feet
Receptacle	3-prong grounding-type

**ELECTRICAL**

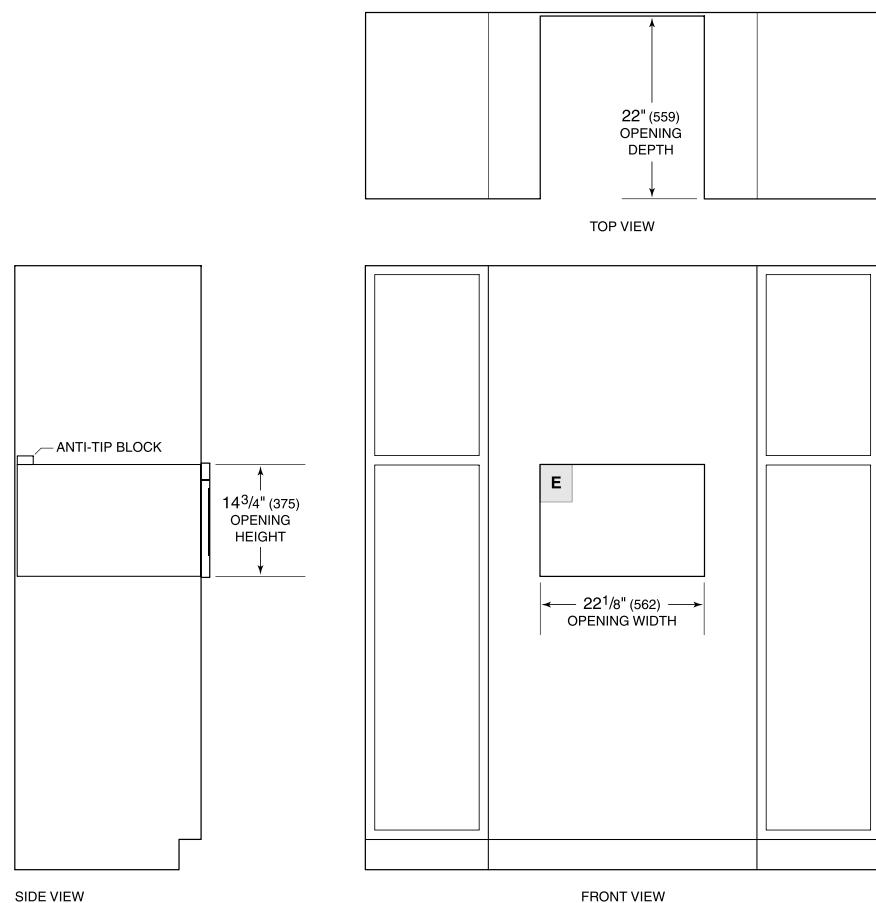


**NOTE:** Dimensions in parenthesis are in millimeters unless otherwise specified

**DIMENSIONS**



**STANDARD INSTALLATION**



PL461912

## FEATURES

Breathe cleaner air and enjoy less greasy residue in your kitchen

Pair with pro power for custom vent needs

Conceal the ventilation with custom cabinetry

Adjust as needed with recessed controls that provide a sleeker look, yet maintain ultimate blower control

Matches the same heavy-duty stainless-steel construction, hand-finished hemmed edges, and welded seams of all Sub-Zero, Wolf, and Cove products

Select from internal, in-line, or remote blower options (blower required)

Illuminates your cooking area with LED lighting with two brightness settings

Rely on a heat safety sensor that automatically turns on the blower or increases its speed when exhaust temperatures exceed 200 degrees Fahrenheit

Minimizes the backward flow of cold air with backdraft transition

## ACCESSORIES

Make-Up Air Damper

Inline Blowers

Internal Blowers

Remote Blowers

Accessories available through an authorized dealer.

For local dealer information, visit [subzero-wolf.com/locator](https://subzero-wolf.com/locator).



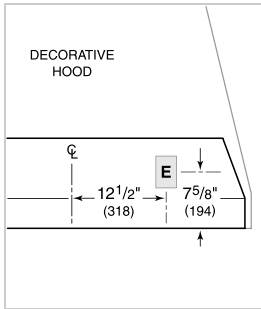
## BLOWER OPTIONS

- 300 CFM Internal
- 400 CFM Internal
- 600 CFM Internal
- 800 CFM Internal
- 1200 CFM Internal
- 600 CFM Inline
- 1100 CFM Inline
- 600 CFM Remote
- 900 CFM Remote
- 1500 CFM Remote

**PRODUCT SPECIFICATIONS**

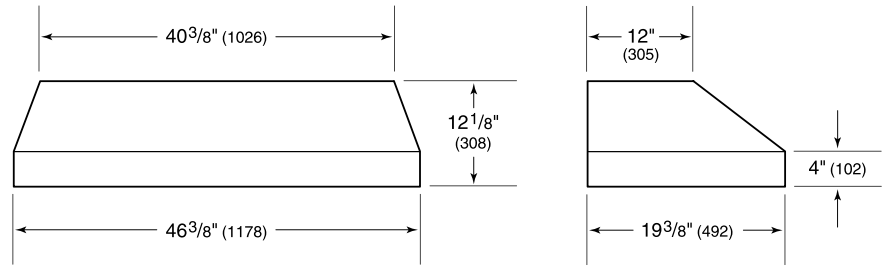
Model	PL461912
Dimensions	46 3/8"W x 12 1/8"H x 19 3/8"D
Weight	60 lbs
Electrical Supply	110/120 VAC, 60 Hz
Electrical Service	15 amp dedicated circuit
Discharge Location	Vertical
Discharge Dimensions	10" Round
Bottom of Hood to Countertop	30" to 36"

**ELECTRICAL**



**NOTE:** Dimensions in parenthesis are in millimeters unless otherwise specified

**DIMENSIONS**





Stainless Frame



Integrated Frame



Integrated Solid

### Additional Options

- Stainless lock model available



Stainless Lock Model

### Key Features

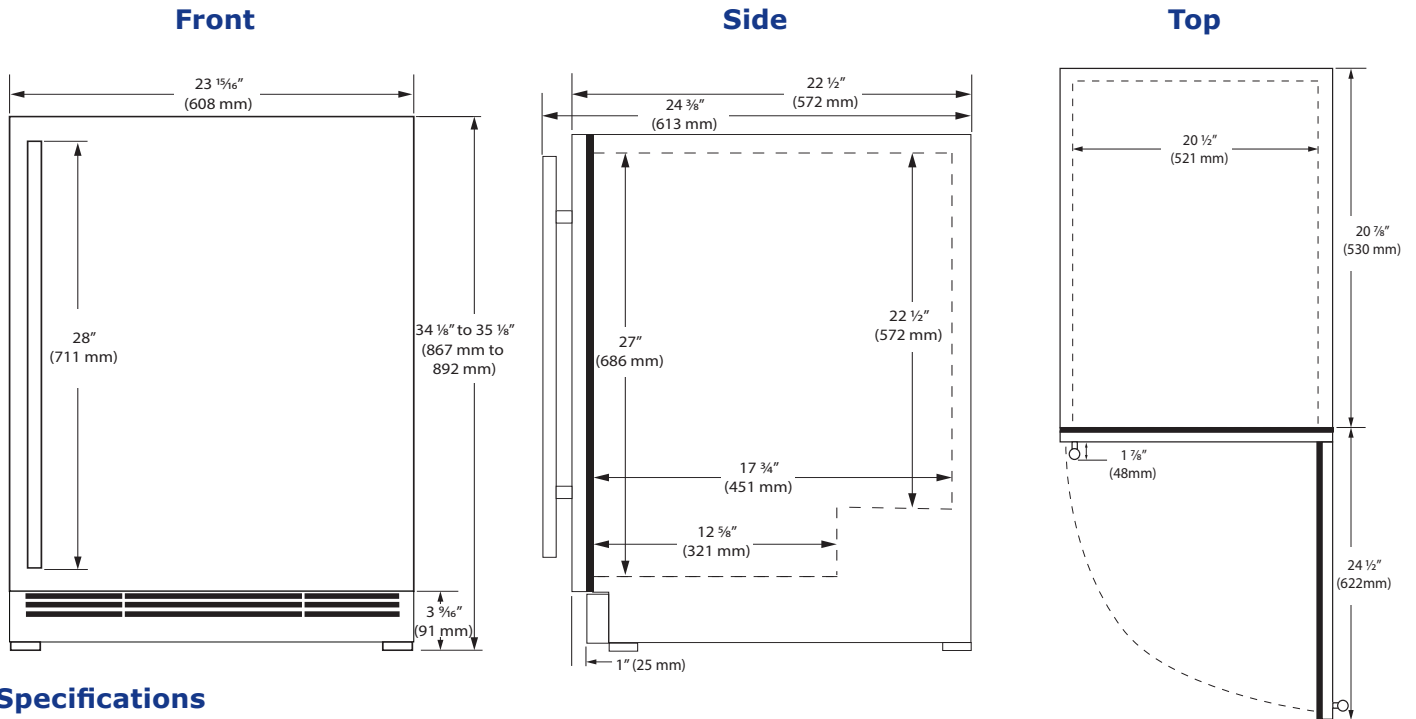
- Convection cooling system provides a quick cool down and consistent temperature
- Extended lower interior maximizes storage options
- Black interior
- LowE coated, argon gas filled, dual thermopane glass door provides protection from harmful UV Light
- Stainless steel full-wrap door and handle (7/8" diameter)
- Stainless steel grille (stainless model), black metal grille (integrated models)
- Two, three-quarter extension, black wine racks
- Two adjustable tempered glass shelves
- Digital touch pad control
- Temperature range: 34°F to 60°F
- Bright white LED lighting
- Volume of 5.5 cu ft holds up to 16 wine bottles (750 ml), and 85 bottles (12 oz) or 105 cans (12 oz)
- Integrated model requires 3/4" custom door panel and handle (not supplied by U-Line)
- Field reversible door is shipped right-hand hinged
- Built-in or freestanding
- Four adjustable leveling legs

### Model Details

Model	Voltage/Hz	Door Swing	Finish	Shipping Weight
UHBV124-SG01A	115 / 60	Field Reversible	Stainless Frame	120 lb
UHBV124-SG31A	115 / 60	Field Reversible	Stainless Frame (Lock)	120 lb
UHBV124-IG01A	115 / 60	Field Reversible	Integrated Frame	115 lb
UHBV124-IS01A	115 / 60	Field Reversible	Integrated Solid	105 lb

### Accessories

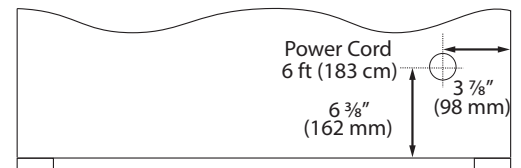
Model	Description	Finish	Shipping Weight
ULAFREESTANDB	Freestanding Kit	Black	3 lb



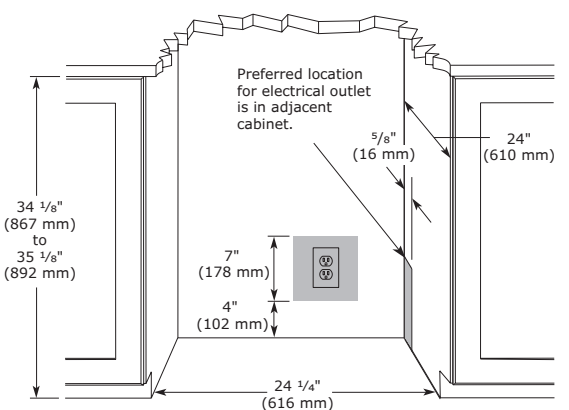
**Specifications**

Model	HBV124
Amps: Running (115 v)	1.2 A
Capacity Bottle	85
Capacity Can	105
Capacity: Total Volume (cu ft)	5.5 cu ft
Capacity: Wine Bottle (750 ml)	16
Dimensions: Product Depth	22 1/2" / 572 mm
Dimensions: Product Height	34 1/8" / 867 mm
Dimensions: Product Width	23 15/16" / 608 mm
ENERGY STAR (Glass)	No
ENERGY STAR (Solid)	Tier 3
Energy Consumption: Avg. Per Year	310 kWh
Panel Height	30 1/4" / 768 mm
Panel Thickness	3/4" / 20 mm
Panel Type	2 3/4" / 70 mm Frame or Solid Panel
Panel Width	23 3/4" / 603 mm
Refrigerant Type	R600a (1.34 oz)
Sabbath (Star K Certified)	Yes
Temperature Range	34°F to 60°F

**Back**



**Cabinet Cut-Out**



**Warranty**

- 1 Year (parts & labor) / 5 year sealed system (parts)
- + **Additional 1 Year (parts & labor) warranty at no cost with product registration**

See complete warranty for details



**Installation Notes**

- 24" cutout width sufficient if door protrudes beyond adjacent cabinetry
- No additional clearance is needed for ventilation
- Do not obstruct front grille air flow



## Integrated Panel Dimensions

### INTEGRATED PANEL

#### NOTICE

**Due to differences in surrounding cabinetry the panel may not perfectly align with door. The procedure below is designed to provide a finished integrated panel that seamlessly integrates with surrounding cabinetry.**

**The door panel must not weigh more than 20 lbs (10 kg).**

**It is important to ensure that all drilled holes are drilled to the correct depth in order to avoid splits in the wood when hardware is installed.**

**When applying an integrated panel to a unit, ensure that both sides are finished in order to prevent warping. In some panel installations, the panel may be visible through the glass while the door is open.**

A full integrated door panel completely covers the door frame and provides a built-in appearance.

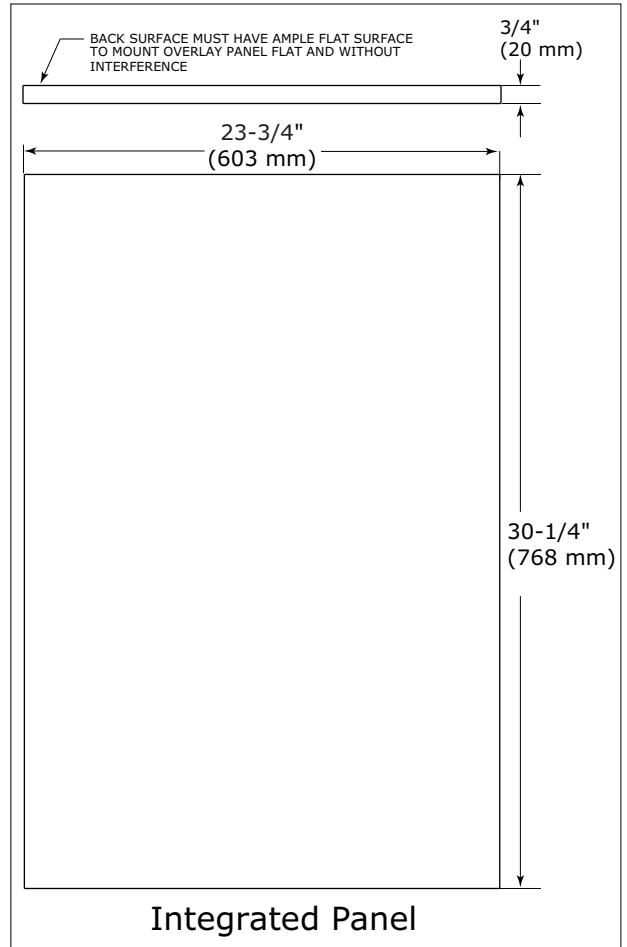
#### Integrated Panel Preparation

1. Cut the panels to the dimensions listed in the diagram below.

2. Optional: Stain or Finish panel to desired stain or color. Be sure to closely follow the instructions provided by the manufacturer.

3. Optional: Install handles and hardware.

### Integrated Panel Dimensions



# WKHC252H\_A

Single Unit LG WashTower™ with Center Control™  
5.0 cu. ft. Front Load Washer and 7.8 cu. ft. Electric  
Ventless Heat Pump Dryer

Mega Capacity 5.0 cu. ft. Washer and 7.8 cu. ft. Dryer  
Single Unit Ventless WashTower™ Design  
Advanced Washing: TurboWash® 360°  
Built-In Intelligence: AI Fabric Sensor / Infrared Sensor / Smart Pairing™  
Dual Inverter HeatPump™ Technology & Inverter Direct Drive Motor System

AVAILABLE COLORS



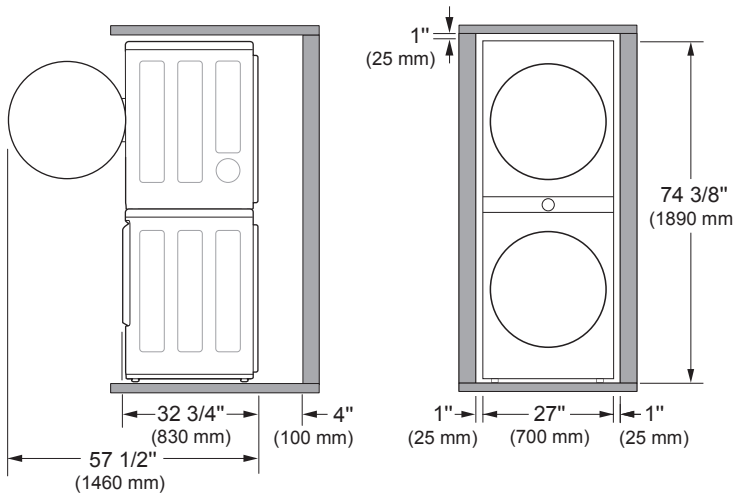
### Proactive Smart Alerts to Keep Your Appliances Running Smoothly

## ThinQ Care

- Preventative Alerts help you stay a step ahead of potential issues to find proactive solutions before problems arise.
- Avoid preventable repairs and service calls with real-time diagnostics for a hassle-free experience.
- Integrated within LG's ThinQ app—a smart home hub for managing your smart devices and appliances.

SUMMARY	Washer	Dryer	FABRIC CARE FEATURES	Washer	Dryer	SMART FEATURES (ThinQ Technology)	Washer	Dryer
Type	Single Unit Front Load Washer and Dryer		AI DD®	Yes	-	Smart Diagnosis (v3.0)	Yes	Yes
Vent Type	-	Ventless	TurboWash® 360 Technology	Yes	-	Wi-Fi	Yes	Yes
Dryer Type	-	Heat Pump	Steam Technology	Yes	-	ThinQ Up	Yes	Yes
Capacity (cu. ft.)	Washer 5.0 cu. ft. / Dryer 7.8 cu. ft.		Allergiene® Cycle	-	-	Remote Start/Cycle Monitor	Yes	Yes
Color	Black Steel (B), White (W)		Sanitary Cycle	-	-	Energy Monitoring	Yes	Yes
<b>ENERGY</b>			AI Sensor Dry	-	Yes	Tub Clean Coach	Yes	-
ENERGY STAR® Most Efficient	Yes		AI Sensor Dry 2.0 (with IR Sensor)	-	Yes	<b>MOTOR AND AGITATOR</b>		
ENERGY STAR® Certified	Yes	Yes	6 Motion Dry	-	Yes	Motor Type	Inverter Direct Drive Motor	
CEE Tier	Tier2	-	Sensor Dry	-	Yes	Axis	Horizontal	
IMEF	2.92	-	Precise Temperature Control with Variable Compressor	-	Yes	<b>MATERIALS AND FINISHES</b>		
IWF	2.9	-	<b>APPEARANCE</b>			NeveRust® Stainless Steel Drum	Yes	Yes
CEF	-	9.0	Touch Buttons	Yes	-	Aluminized Alloy Steel Drum	-	No
<b>PROGRAMS</b>			Full Touch Electronic Control Panel with LED Display	Yes	-	Control Panel	Plastic	
No. of Programs	6	6	Center Control®	Yes	-	Top Plate	Steel	
Wash Programs	Normal, Bedding, Delicates, Heavy Duty, Quick Wash, Downloaded	Normal, Bedding Delicates, Heavy Duty, Small Load, Downloaded	<b>CONVENIENCE FEATURES</b>			Cabinet	Painted Steel	
<b>OPTIONS</b>			TrueBalance®	Yes	-	Door / Rim	Large Circle Chrome Rim	
No. of Options	9	8	Anti-Vibration System	Yes	-	Door Cover	Tinted Round Tempered Glass	
Options	TurboWash®, Steam, Extra Rinse, Pre-wash, Tub Clean*, Drum Light*, Control Lock*, Signal*, Wi-Fi* / Remote Start*	Wrinkle Care, More Time, Less Time, Condenser Care, Drum Light*, Control Lock*, Signal*, Wi-Fi* / Remote Start*	4 Tray Dispenser	Yes	-	All Available Colors	Black Steel (B), White (W)	
<b>DETAILS</b>			End of Cycle Signal	Yes	-	<b>CERTIFICATION</b>		
No. of Wash/Rinse Temps	5	-	LoadSense	Yes	-	AAFA	No	No
Wash/Rinse Temps	Hot, Very Warm, Warm, Cool, Cold	-	Control Lock	Yes	-	<b>POWER SOURCE</b>		
No. of Spin Speeds	5	-	Auto Suds Removal	Yes	-	Ratings	CSA Listed	
Spin Speeds	High, Medium/High, Medium, Low, No Spin	-	Leveling Legs	4 Adjustable Legs	-	Electrical Requirements	120V, 10 Amps	240V, 830W or 208V, 820W 15 Amp Circuit
Max RPM	1300	-	Drum Light	Yes	-	Type	Electric	Heat Pump
Water Levels	Load Sensing	-	Wrinkle Care Option	-	Yes	BTU Rating	-	Heat Pump : N/A
No. of Soil Levels	5	-	Control Lock	-	Yes	Plug	Yes	No
Drying Levels	-	Very, More, Normal, Less, Damp	Venting Option	-	-	Plug Type	3 prong	4-Wire or 3-Wire (Homes built after 1996 require 4-Wire)
Dry Mode	-	Energy Saver, Normal, Speed	4 Adjustable Legs	-	Yes	<b>OPTIONS/ACCESSORIES</b>		
Manual Dry Times	-	30 - 70 mins. (10 min. increments)	Remaining Time Display/Status Indicator(s)	-	Yes	LP Conversion Kit	-	N/A
			Lint Filter	-	Yes	<b>LIMITED WARRANTY</b>		
			Auto Cleaning Condenser	-	Yes	Parts and Labor	1 Year	1 Year
						Direct Drive Motor	10 Years	-
						Drum	3 Years	3 Years
						Inverter Compressor & Motor	-	10 Years
						<b>UPC CODES</b>		
						WKHC252HBA (Black Steel)	195174072370	
						WKHC252HWA (White)	195174072318	

DIMENSION / CLEARANCES

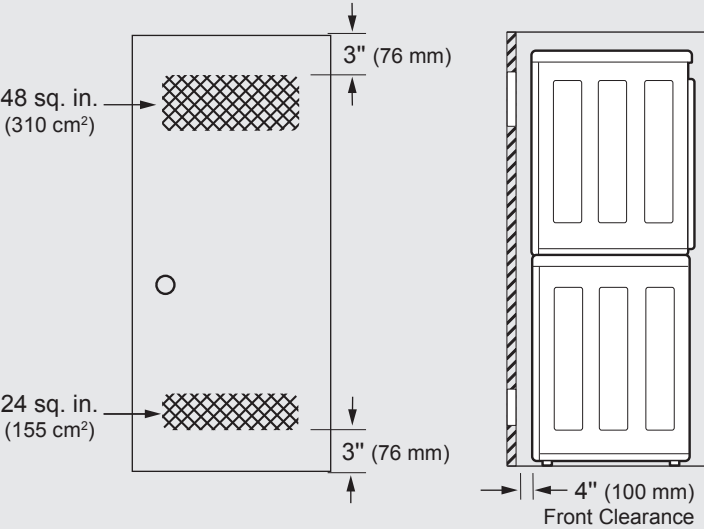


DIMENSIONS

Product (WxHxD)	27" x 74 3/8" x 32 3/4"
Depth with Door Open	57 1/2"
Carton Dimensions (WxHxD)	29 1/4" x 77 1/2" x 33 1/4"
Approx. Weight (Product / Carton)	353.0 lbs / 380.0 lbs

DIMENSION / CLEARANCES

To ensure sufficient clearance for water inlet hoses, drain hose and airflow, allow minimum clearances of at least 1" (2.5 cm) at the sides and 4" (10 cm) behind the appliance. Be sure to allow for wall, door, or floor moldings that may increase the required clearances.



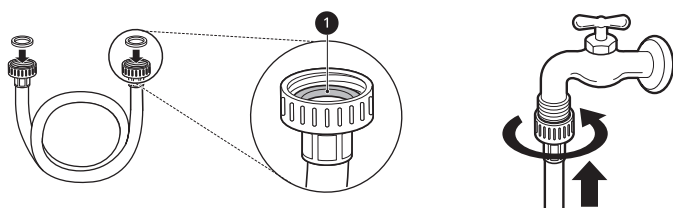
DIMENSION / CLEARANCES

Closet Ventilation Requirements

Closets with doors must have both an upper and lower vent to prevent heat and moisture buildup in the closet. One upper vent opening with a minimum opening of 48 sq. in. (310 cm<sup>2</sup>) must be installed no lower than 6 feet above the floor. One lower vent opening with a minimum opening of 24 sq. in. (155 cm<sup>2</sup>) must be installed no more than one foot above the floor. Install vent grills in the door or cut down the door at the top and bottom to form openings. Louvered doors with equivalent ventilation openings are also acceptable.

CONNECTING THE WATER INLET HOSE

- Check the fittings and seals. Inspect the threaded fitting on each hose and make sure there is a rubber seal ❶ in place in both ends of each hose to prevent leaking.
- Connect the water inlet hoses to the hot and cold water faucets tightly by hand and then tighten another 2/3 turn with pliers.
- Connect the blue hose to the cold water faucet and the red hose to the hot water faucet.



- ❶ Terminal Block Access Panel
- ❷ Dryer Drain Outlet (behind stacking bracket)
- ❸ Hot and Cold Water Inlets
- ❹ Shipping Bolts
- ❺ Drain Hose (for Washer)
- ❻ Power Cord (for Washer)

